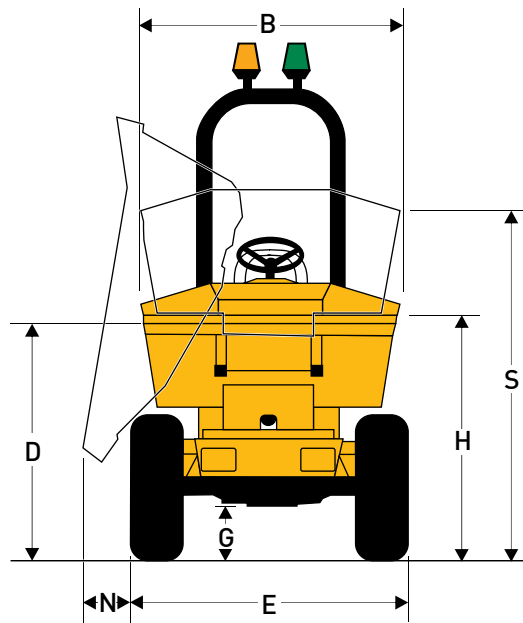
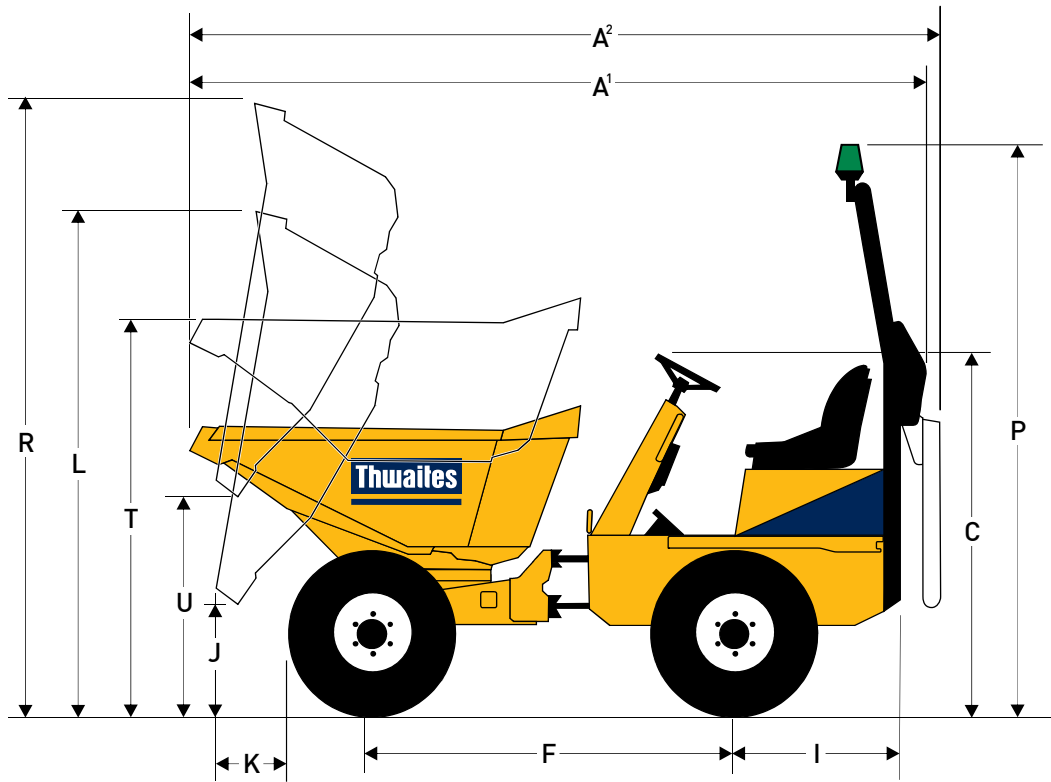


► SPECIFICATIONS

2 Tonne Hi-Swivel Hydrostatic

MACH2071



**Dimensions
(mm)**

| | |
|----------------|------|
| A ¹ | 3726 |
| A ² | 3891 |
| B | 1471 |
| C | 1926 |
| D | 1479 |
| E | 1488 |
| F | 1850 |
| G | 282 |
| H | 1536 |
| I | 1042 |
| J | 1236 |
| K | 525 |
| L | 3152 |
| N | 239 |
| P | 3053 |
| R | 3642 |
| S | 2028 |
| T | 1971 |
| U | 1726 |

Load-over height: Skip down - 1306 mm
Skip up - 1797 mm

2 Tonne Hi-Swivel Hydrostatic

MACH2071

| | | |
|-------------------|---------------|-------------|
| Capacities | Max safe load | 2000 kg |
| | Heaped | 1205 litres |
| | Struck | 875 litres |
| | Water | 770 litres |

Engine

Yanmar 3TNV88-BWVA, 18.4 kW/24.6 bhp (nett) at 2000 rpm, 3-cylinder water-cooled direct-injection diesel. Max. torque 107 Nm at 1200 rpm (78.9 lbf ft). Electric starting, hour meter, battery isolator switch and heavy-duty cyclonic air cleaner positioned within the lockable engine compartment.

Noise Levels

Operator's ear 84 LpA, airborne sound power level 101 LwA (to 2000/14/EC).

Transmission

Hydrostatic with high/low speed range and forward/reverse direction controlled by one column mounted lever. Inching facility for precise manoeuvres in restricted areas activated by first push on brake pedal.

| | | |
|---------------|---------------------|------------------------|
| Speeds | Forward and reverse | |
| | Low | 0-5.5 km/h (3.4 mph) |
| | High | 0-15.0 km/h (9.3 mph) |

| | |
|--------------|-------------------------|
| Tyres | 255/75 x 15.3 |
| | Load/Speed Index 107 A8 |
| | Track grip tread |

Brakes and Axles

Totally enclosed multiple oil-immersed discs mounted on rear axle effective on all four wheels. Automatic adjustment for wear. Hand-operated parking brake, spring applied hydraulically released brakes (SAHR). Heavy-duty axles with epicyclic reduction and fully floating halfshafts. Reduction gearbox integral with rear axle differential housing.

Kinglink Chassis

Front and rear chassis constructed from deep section folded steel plate, with three-point Kinglink giving centre articulation and oscillation for better stability, traction and extra safety on site. Remote greasing point provided for lubrication of top Kinglink articulation pin.

Skip

Hydraulically operated, 6 mm steel base plate, fully welded, mouth and sides of skip reinforced with box sections giving greater strength to minimise skip damage. No material traps. Powerswivel mounted on ball bearing turntable with powered rotation through 180° by means of twin slewing cylinders. Variable tipping height by means of a scissor lift. Two-lever control: one with dual axis to tip and turn the skip and a single-axis lever to adjust its height. Automatic safety lock holds skip in central position when travelling.

Seating & Controls

Adjustable suspension seat, accessible from both sides. Audible warning device at key start 'on' position. Super-bright warning lights for all critical functions. Electric horn. Large pedal pads with handbrake and hydraulic controls ready to hand.

Service Access

Lockable 3-sided cover opens to provide easy access from ground level to engine service points, all located on the same side. Moulded diesel and steel hydraulic tanks positioned low in the chassis side members, permitting access to the filler caps from ground level

Electrics

Wiring harness contained within conduits and all electrical components water resistant to IP65/67 standards.

Steering and Hydraulics

Hydraulic priority power steering. Filter mounted on the top of the tank accessible from ground level. Combined suction and return filtration for all services. Hydraulic test points fitted as standard.

| | | |
|------------------------|-----------|-------------|
| Tank Capacities | Fuel | 24.5 litres |
| | Hydraulic | 25.0 litres |

| | |
|----------------------|--------------------------------------|
| Shipping Cube | 11 m ³ (with folded ROPS) |
|----------------------|--------------------------------------|

| | |
|-----------------------|---------|
| Unladen Weight | 2360 kg |
|-----------------------|---------|

| | |
|---------------------------|-------|
| Clearance Diameter | 7.5 m |
|---------------------------|-------|

Standard Equipment

ROPS frame, Towing bracket, LED Beacons (Amber) & (Green). Full LED road lighting Incl. DRL (Daylight Running Lights), Reverse alarm,

Optional Extras

Road mirrors, Wheel Nut Indicator

Distributor



Thwaites Ltd. Leamington Spa, Warwickshire CV32 7NQ, England
Tel +44 (0)1926 422471 Fax +44 (0)1926 337155
www.thwaitesdumpers.co.uk



We reserve the right to change all specifications without prior notice. Printed in England 10/2019